

MULTI LEVEL BRACKET

H- DIM. W- DIM.

- ML0406 4" HIGH 6" WIDE TRAY
- ML0412 4" HIGH 12" WIDE TRAY
- ML0806 8" HIGH 6" WIDE TRAY
- ML0812 8" HIGH 12" WIDE TRAY
- ML1206 12" HIGH 6" WIDE TRAY
- ML1212 12" HIGH 12" WIDE TRAY

3RD LEVEL BRACKET

- ML3 4" HIGH 6" WIDE
- ML3 4" HIGH 12" WIDE
- ML3 8" HIGH 6" WIDE
- ML3 8" HIGH 12" WIDE

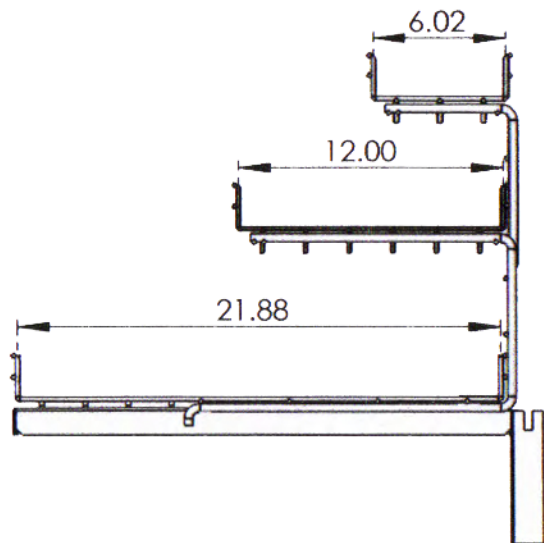
SPACING CAN BE ADJUSTED ON A CUSTOM BASIS.

A) MATERIAL:

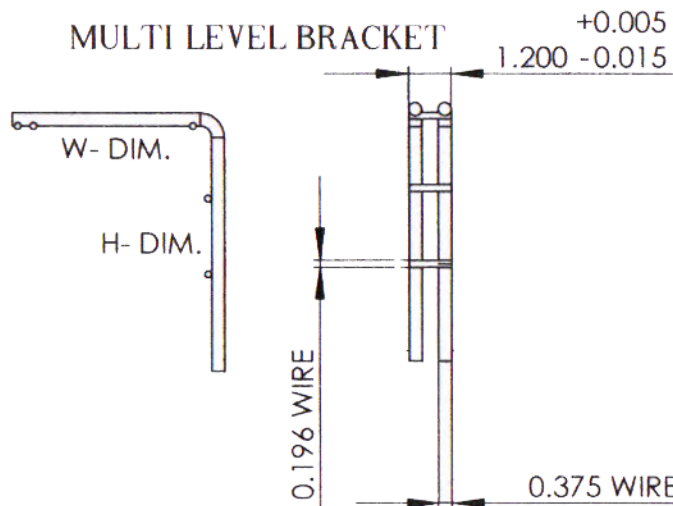
- 1) REGULAR GALVANIZED WIRE PER ASTM A641.
- 2) CARBON STEEL BRITE BASIC WIRE PER ASTM A510 GRADE 1008.

B) FINISH:

- 1) POWER COATING



MULTI LEVEL BRACKET



UNLESS OTHERWISE SPECIFIED:
DIMENSIONS ARE IN INCHES

DEBUR AND
BREAK SHARP
EDGES



REVISION	NAME	CHANGE	DATE		
A	AF		4-7-10		

TITLE: **THIRD LEVEL BRACKET**

DWG NO. **TLB XXX XXX XXX**

SCALE: 1:10

SHEET 1 OF 1