

Access Flooring Cable Tray Systems

THE SMARTER WAY TO ORGANIZE YOUR UNDERFLOOR CABLES

Designed, patented and engineered with innovative features and benefits that provide extremely efficient cable management while significantly lowering your life-cycle costs, the ACT/FloorFlex System is the right choice for any data center, electrical room and office application. By making full use of standard grid spacing, the system is so flexible that it can be installed or retro-fitted without conflict into the access floor structure itself.

Cable Trays can be located just inches below the finished floor for easy access, so making changes or repairs isn't a back breaking, time consuming job. Create organized cable channels with Cable

Tray Dividers without having to use tie wraps to keep them together. This greatly reduces the time spent replacing, moving or adding new cables and lowers the life-cycle costs at the same time. It has strength and versatility to be ramped up or down beneath the finished floor surface by simply adjusting the height of the vertical supports.

For multi-level applications, the system can be installed in a stacked or parallel configuration. Constructed carefully of solid, high-quality materials, the ACT/FloorFlex System answers all your cable management needs-while giving you maximum flexibility and accessibility in the future.

Here's how simple it is to install. **It's a snap.**

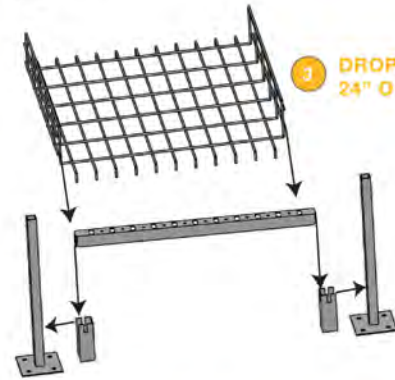
1 SLIP ON VERTICAL SUPPORT



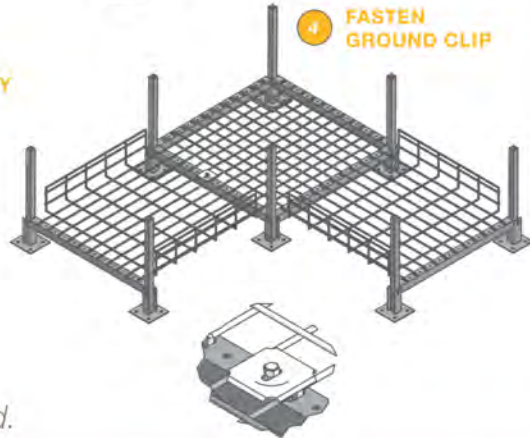
2 SNAP IN HORIZONTAL SUPPORTS



3 DROP IN 24" OR 48" TRAY



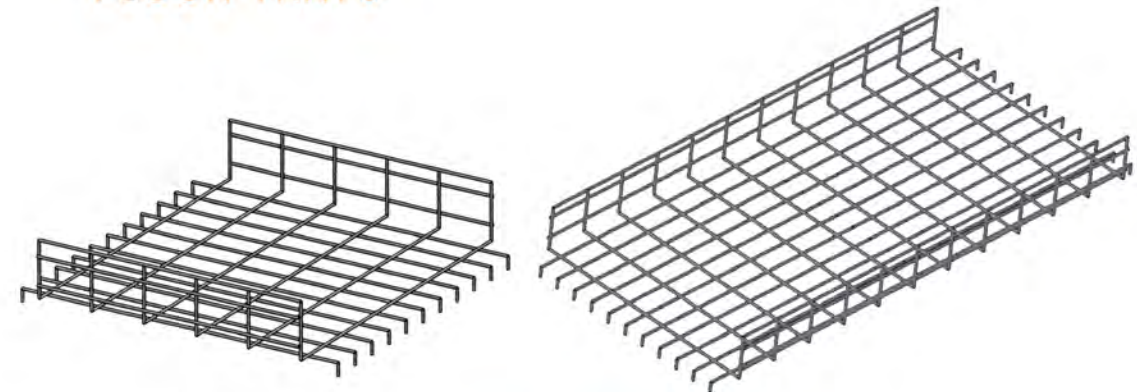
4 FASTEN GROUND CLIP



No special tools or cutting required.

ACT/FloorFlex Components

FLOOR TRAYS



24" LONG TRAYS

FT2X6X24- 2" Deep, 6" Wide, 24" Long
 FT4X6X24- 4" Deep, 6" Wide, 24" Long
 FT6X6X24- 6" Deep, 6" Wide, 24" Long
 FT2X12X24- 2" Deep, 12" Wide, 24" Long
 FT4X12X24- 4" Deep, 12" Wide, 24" Long
 FT6X12X24- 6" Deep, 12" Wide, 24" Long
 FT2X24X24- 2" Deep, 24" Wide, 24" Long
 FT4X24X24- 4" Deep, 24" Wide, 24" Long
 FT6X24X24- 6" Deep, 24" Wide, 24" Long

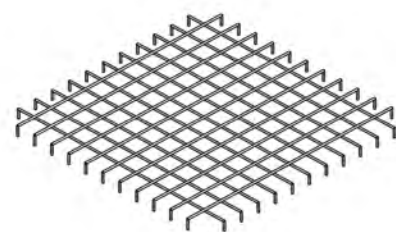
48" LONG TRAYS

FT2X6X48- 2" Deep, 6" Wide, 48" Long
 FT4X6X48- 4" Deep, 6" Wide, 48" Long
 FT6X6X48- 6" Deep, 6" Wide, 48" Long
 FT2X12X48- 2" Deep, 12" Wide, 48" Long
 FT4X12X48- 4" Deep, 12" Wide, 48" Long
 FT6X12X48- 6" Deep, 12" Wide, 48" Long
 FT2X24X48- 2" Deep, 24" Wide, 48" Long
 FT4X24X48- 4" Deep, 24" Wide, 48" Long
 FT6X24X48- 6" Deep, 24" Wide, 48" Long

HORIZONTAL FITTING FLAT

FTINT- 24"X 24" FLAT TRAY

This Tray allows easy transition through T's, elbows and crosses in your pathway.



HORIZONTAL SUPPORT BARS



HS24- 24" HORIZONTAL SUPPORT BAR

Also available in Seismic

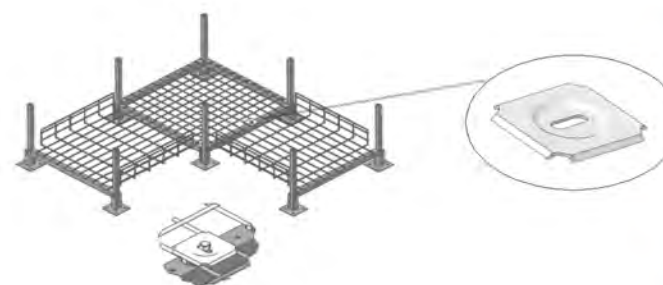
VERTICAL SUPPORTS

- VS02- 2" HIGH
- VS04- 4" HIGH
- VS06- 6" HIGH
- VS08- 8" HIGH
- VS10- 10" HIGH
- VS12- 12" HIGH
- VS14- 14" HIGH
- VS16- 16" HIGH
- VS18- 18" HIGH
- VS20- 20" HIGH
- VS24- 24" HIGH
- VS30- 30" HIGH

Custom and Seismic sizes available



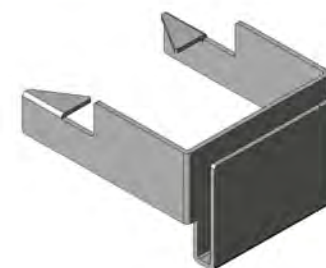
GROUND SPLICE CLIP



GRDCLIP-Ground Clip/
Fastener (Bags of 50 each)

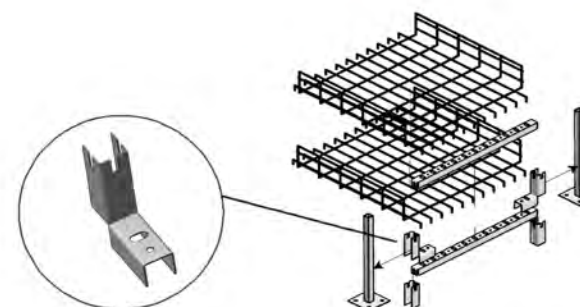
Use Ground Splice Clip to Fasten Trays and Provide Electrical Continuity.

VERTICAL SUPPORT RETAINING CLIP



VSRC- Lock Vertical
Support To Access
Floor Pedestal
(Bags of 50 each)

VERTICAL EXTENSION



VEXT4- 4" High
VEXT6- 6" High
VEXT8- 8" High

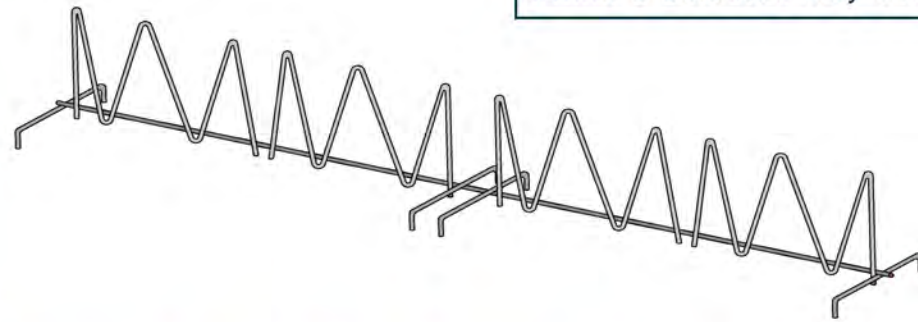
Used to make 24" width multi-level tray systems

flexible solutions for your cable needs

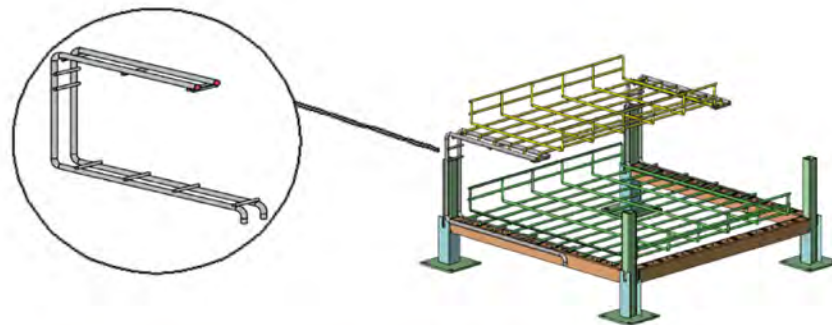
CABLE TRAY DIVIDER

CTD482- 2" HIGH, 48" LONG
 CTD484- 4" HIGH, 48" LONG
 CTD486- 6" HIGH, 48" LONG

Used to separate cable bundles within a selected tray width.



2-LEVEL CABLE TRAY BRACKET

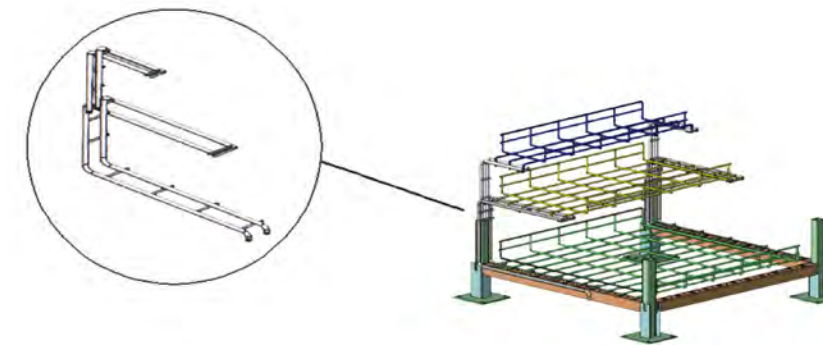


ML4X6- 4" HIGH BRACKET, 6" WIDE TRAY
 ML4X12- 4" HIGH BRACKET, 12" WIDE TRAY
 ML8X6- 8" HIGH BRACKET, 6" WIDE TRAY
 ML8X12- 8" HIGH BRACKET, 12" WIDE TRAY
 ML12X6- 12" HIGH BRACKET, 6" WIDE TRAY
 ML12X12- 12" HIGH BRACKET, 12" WIDE TRAY

- Available in heights of 4", 8", & 12"
- Available to accommodate tray widths of 6" & 12"



3-LEVEL CABLE TRAY BRACKET



MLT4X6- 4" HIGH BRACKET, 6" WIDE TRAY
 MLT4X12- 4" HIGH BRACKET, 12" WIDE TRAY
 MLT8X6- 8" HIGH BRACKET, 6" WIDE TRAY
 MLT8X12- 8" HIGH BRACKET, 6" WIDE TRAY

- Available in heights of 4" to 8"
- Available in widths of 6" to 12"

Flexibility

The ACT system snaps together with ease and completely adjusts to whatever system you need

Easy Access

ACT Cable Trays can be installed as close as 2 inches from the finished floor height, therefore allowing for easy access to vital cables.

Heavy Load Capacity

Sturdy construction supports heavy case loads without any mechanical attachment to access flooring pedestals.

Open Air Flow

Tray heights are completely adjustable allowing for clear, unobstructed air flow throughout the plenum of computer rooms.

**"Simple,
snap-in system"**



ACCESS CABLE TRAYS,
A PRODUCT OF IRVINE
ACCESS FLOORS, INC.

Irvine Access Floors, Inc. has been in the access floor business for over 53 years. Our expertise in the products, installation, and materials involved will assist anyone interested in purchasing a new or refurbished flooring system and the necessary accessories.

With most access flooring systems, comes underfloor cables. Cable organization has been a frequent challenge in most data centers and server rooms. Well, we have found the perfect solution for you.

Access Cable Trays are a simple snap-in system that can be placed in any 24" or 48" system. This patented design is highly recommended to those looking for an easy and flexible way to organize their cables. We offer everything from single level tray systems to multiple tier systems. Trust us when we say " Access Cable Trays are the best in the business!"



9425 Washington Blvd
Ste Y-WW
Laurel, MD 20723
301.617.9333 ph
301.617.9907 fax
www.accesscabletrays.com